

BODY BUILDER'S BOOK BULLETIN

DATE: January 3, 2007
MODEL YEAR: 2007 ~ 2009 (Prior to March 2008 Production)
CHASSIS MODEL: 1800CS/HD ~ 3300
BULLETIN NUMBER: BBB Bulletin-18

MIRROR ADJUSTMENT FOR 102 INCH WIDE BODY

PURPOSE

The mirror configuration as received from Nissan Diesel Japan Inc. are factory installed for a 96 inch Wide Body. Vehicles manufactured from March 2008 will have the mirrors set for a 102 inch Wide Body.

PROCEDURE

To change the mirror configuration remove the right and left side mirror heads and relocate to the opposite sides.

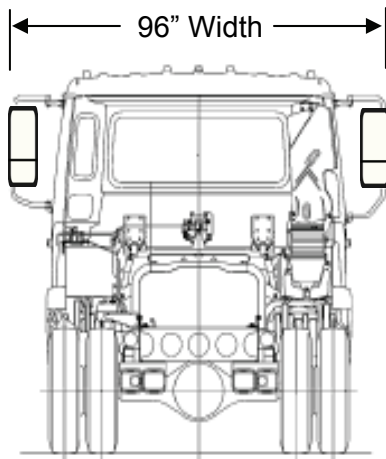


Figure A

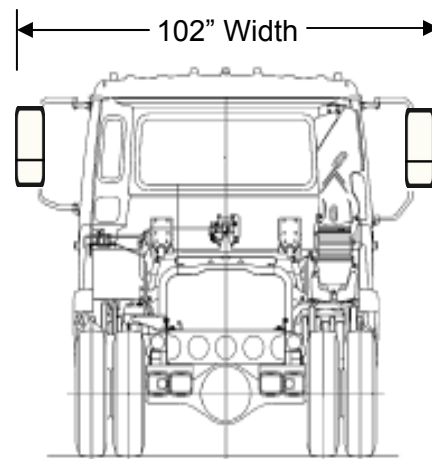


Figure B



102" wide mirror head position

THE INFORMATION CONTAINED IN THIS BULLETIN SHOULD NOT BE INTERPRETED AS THE BASIS FOR WARRANTY CLAIMS UNLESS SO DESIGNATED